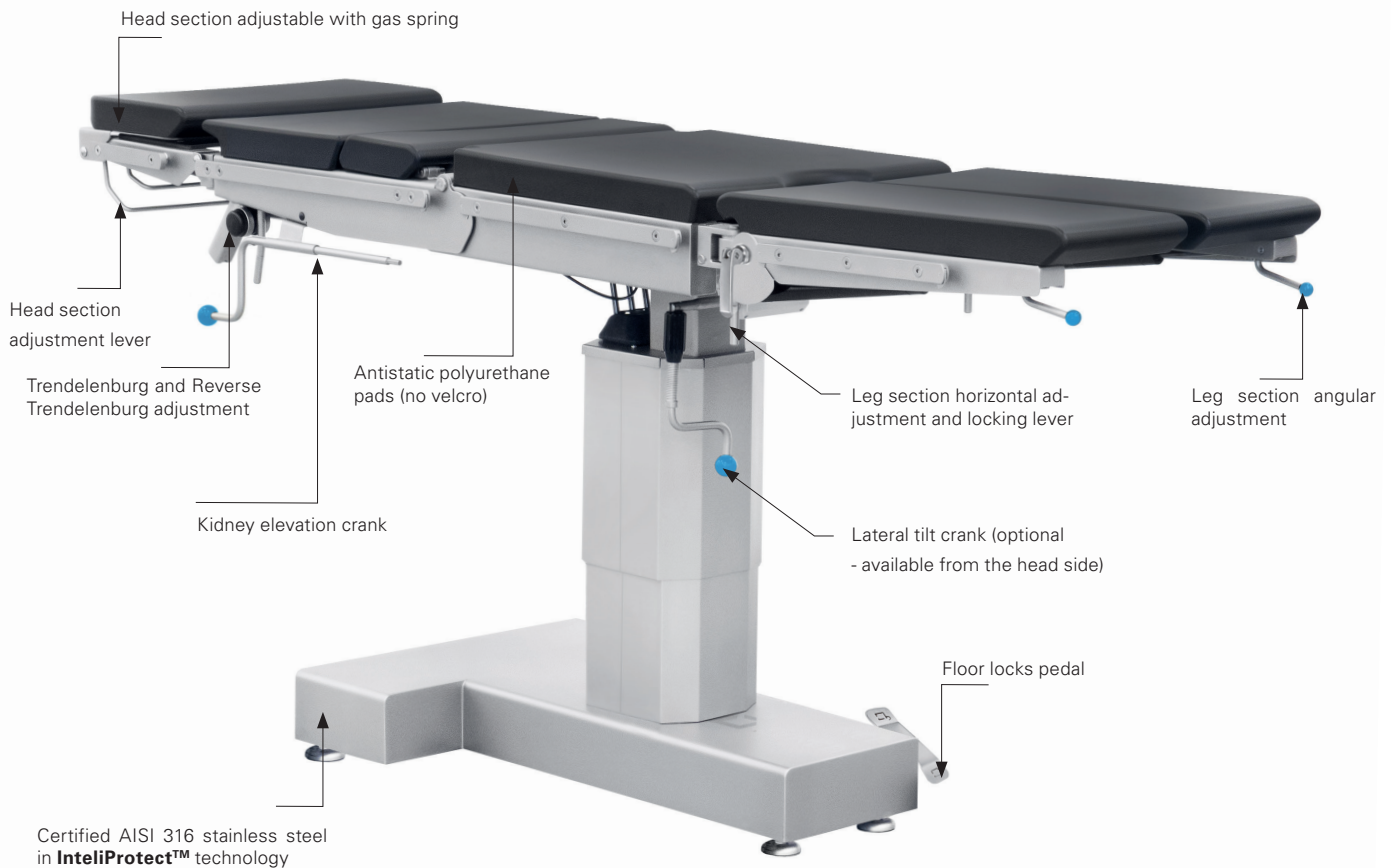


**Economic and durable mechanical-hydraulic OPERATING table without electric controls**

A fully functional operating table without electrical control eliminates the risk of failure to almost zero. This table is great for use in places with no access to the electrical network and where the simplicity of construction and service is appreciated. A wide range of accessories allows it to be used in virtually any type of surgery. All steel elements are made of high-grade stainless steel using the IntelliProtect™ technology - matte finish with additional zinc protection, surface resistant to disinfectants.



<b>82-002-05</b>	5 sections
<b>82-002-06</b>	6 sections

Full range of specialist equipment is introduced inside "Accessories for OR-Tables" catalogue.

**Standard structure**

- Surgical table made of stainless steel, with matte surface
- Central blockade activated by foot lever (locking mechanism in T-shape base via four retractable footers)
- Removable, seamless, waterproof, disinfectant resistant pads
- Table top sections are radiotranslucent for better cooperation with C-arm
- All surfaces are easy to clean and disinfectant resistant
- Removable and interchangeable head section and leg section
- One piece leg plate available

**Functions and drives**

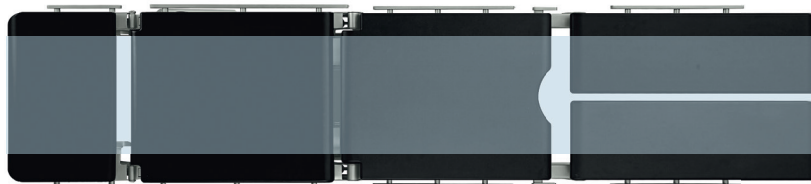
- Height adjustment via hydraulic actuator activated via foot pump
- Back rest section inclination, leg rest section inclination (in five and six section tabletop), head rest section adjustment, Trendelenburg and Reverse-Trendelenburg functions are supported by gas springs with blockade
- Kidney elevator, in six-section table top, is adjusted manually with use of crank placed at patient's head side
- Lateral tilts are executed with the use of a crank, located on the side of the table under the seat segment or optionally by a crank located at the patient head side
- Largest segment is adjustable aside manually



**Cooperation with C-arm**

Longitudinal table top shift combined with asymmetric table column location allow you to use the C-arm during interventions, which require continues patient monitoring.

Table top is fully translucent (with certificate), all inner crossbars for strengthening the construction are made from carbon fibre and will not affect the pictures.



Range of X-ray permeability (remember, you can always switch the leg and head sections).

**Mattresses**

Table is equipped with removable, seamless, molded polyurethane mattresses 50 mm thick. All mattresses are antistatic, waterproof and X-ray translucent. They can be easy detached from the table top (they are mounted on with the use of special pegs, which secure them in place and prevent from moving during the table adjustments). The homogenous surface of the mattress is easy to clean and resistant to disinfecting agents.

Every mattress undergoes several thorough quality tests to ensure long-lasting, trouble-free use.

**TABLE TOPS OPTIONS**

**Total length:**

- 5-sections table top            2060 mm
- 6-sections table top            2060 mm

**Total width:**

- 5-sections table top            550 mm
- 6-sections table top            550 mm

**Leg segment length:**

- 5-sections table top            615 mm
- 6-sections table top            615 mm





<b>82-002-05</b>	5 sections
<b>82-002-06</b>	6 sections

Total table length	2060 mm
Total table top width	550 mm
Mattress width x thickness	500 x 50 mm
Table top height adjustment	725 to 1025 mm
Trendelenburg position	30°
Reverse Trendelenburg position	30°
Lateral tilts	±25°
Back rest segment adjustment	-40° to +85°
Head rest adjustment	-50° to +55°
Kidney elevator height adjustment (6 sections table top)	150 mm
Leg rests inclination angle adjustment (5 and 6 table top sections)	-90° to +25°
Leg rest segment aside inclination aside adjustment	180°
Permissible load (leg rest segment fixed in seat segment / leg rest segment in back rest segment)	200 kg
Table weight	160 kg